

# Type 2000/2001/2006 Pan & Tilt Head



Innovative design combined with advanced production techniques and modern styling make this unit the benchmark for the next generation of pan & tilt heads.

Offered with externally adjustable limit switches and Pre-set positions.

Ease of maintenance and servicing has been significantly improved over conventional pan & tilt designs. All external fixings are the same size. Options and accessories can be retro-fitted with plug-in wiring.

Type 2000 pan & tilt heads can be operated upright or inverted and are available in the following range of voltages: 230Va.c. (Type 2000) 110Va.c. (Type 2000-110) 24Va.c. (Type 2001) 24Vd.c. (Type 2006).

## benefits

- AESTHETICALLY STYLED
- PAYLOADS OF UP TO 20KG  
(NO NEED FOR COUNTER BALANCE WEIGHTS)
- PRESSURE DIE CAST CONSTRUCTION
- 230VA.C. | 110VA.C. 24VA.C. UNITS  
24VD.C. UNIT (TYPE 2006)
- AVAILABLE IN A RANGE OF CONFIGURATIONS
- WEATHERPROOF TO BS.EN.60529 LEVEL IP66.  
(NO WATER INGRESS)
- COVERED EXTERNALLY ADJUSTABLE LIMITS

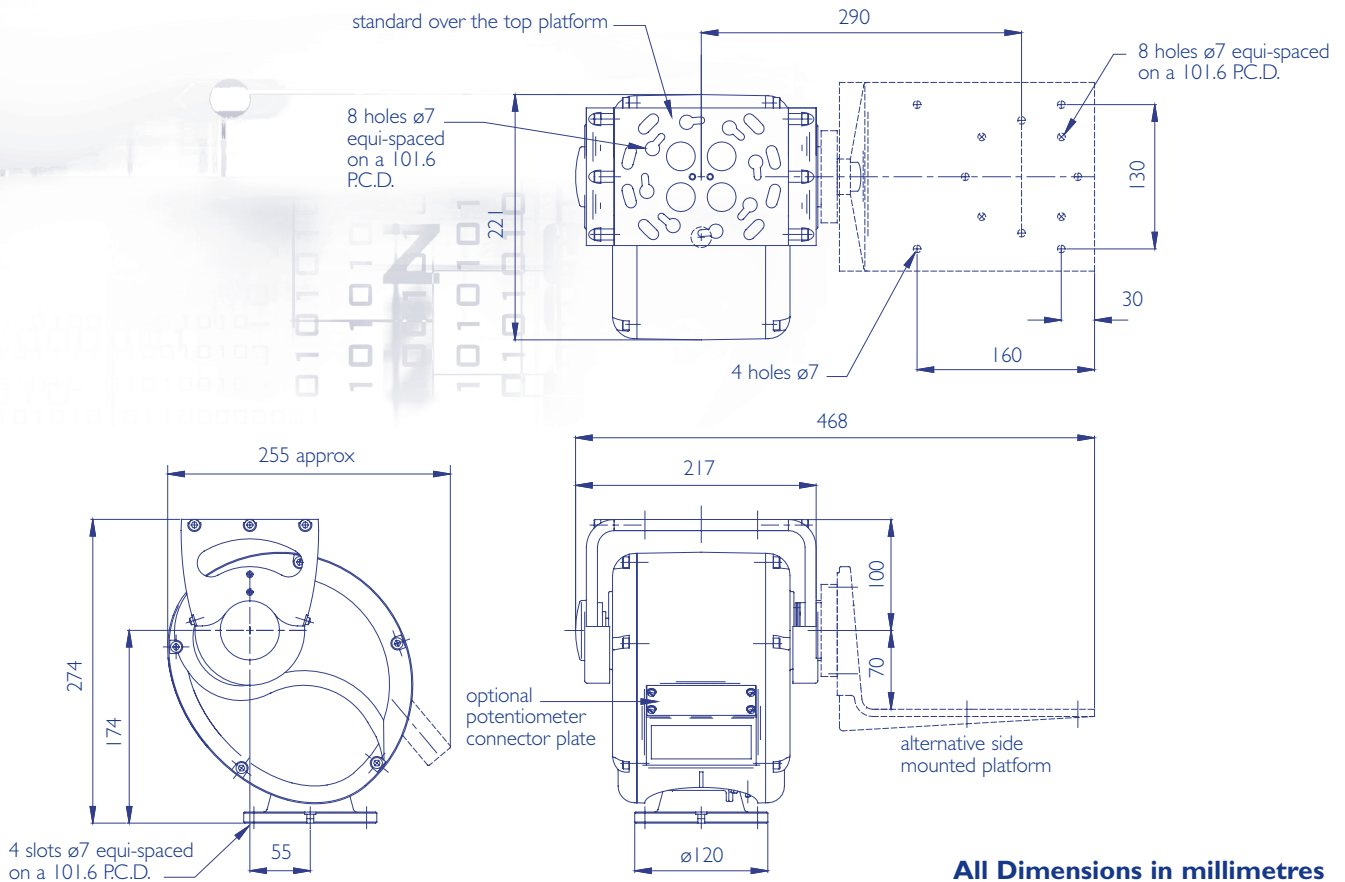
## build options

- /PP = PAN POTENTIOMETER
- /TP = TILT POTENTIOMETER
- /CR = CONSTANT ROTATION
- /LT = LOW TEMPERATURE. (-30°C)
- /SP = SIDE PLATFORM

### Type 2000/2001 a.c. unit only

- /A = AUTOPAN (INSIDE UNIT)
- /12° = FAST PAN SPEED

# Type 2000/2001/2006 Pan & Tilt Head



## Specification

### MAXIMUM LOAD

- 20kg

### PAN MOVEMENT

- 5° to 350°

### TILT MOVEMENT

- +20° to -90°

### PAN SPEED

- |                  |   |
|------------------|---|
| <b>2000/2001</b> | <b>2006</b>                             |
| • 7.5°/sec       | • 48°/sec<br>(no load speed at 24Vd.c.) |

### TILT SPEED

- |                  |   |
|------------------|---|
| <b>2000/2001</b> | <b>2006</b>                             |
| • 3°/sec         | • 16°/sec<br>(no load speed at 24Vd.c.) |

### PAN TORQUE

- 150kg

### TILT TORQUE

- 400kg

### OPERATING TEMPERATURE

- +20° to -90°

### BACKLASH

- 0.5°/sec maximum

### WEIGHT

- 7.5kg

### FINISH

- Powder coated & stoved

### POWER CONSUMPTION

- |                  |             |
|------------------|-------------|
| <b>2000/2001</b> | <b>2006</b> |
| • 24W            | • 36W       |

### CONNECTION

- |   |                    |
|---|--------------------|
| <b>2000/2001</b>                                    | <b>2006</b>        |
| • 7 way connector<br>(plus 4 way for preset option) | • 14 way connector |

### ENVIRONMENTAL PROTECTION

- BS. EN.60529 Level IP66  
(no water ingress)

PLEASE CHECK THE WEBSITE FOR LATEST DEVELOPMENTS

FOR FURTHER INFORMATION PLEASE CONTACT

#### Dedicated Micros UK

#### Dennard UK

#### Dedicated Micros USA

#### Dedicated Micros Europe

#### Dedicated Micros Belgium

#### Dedicated Micros Ltd. Slovenia

#### Dedicated Micros France

#### Dedicated Micros Asia

#### Dedicated Micros Australia

#### Dedicated Micros Malta

#### Dedicated Micros Middle East

11 Oak Street, Swinton, Manchester, M27 4FL, UK Tel: +44 (0) 161 727 3200 Fax: +44 (0) 161 727 3300.

Tel: +44 (0)1252 614884 Fax: +44 (0)1252 626013 e-mail: sales@dennard-cctv.com

14434 Albemarle Point Place, Suite 100, Chantilly, Virginia 20151 USA Freephone: 800 864 7539  
Tel: +1 703 904-7738 Fax: +1 703 904-7743 and 23456 Hawthorne Blvd. Suite 100, Torrance, CA 90505,  
Tel +1 310 791-8666 Fax: +1 310 791-9877.

Neckarstraße 15, 41836 Hückelhoven, Germany Tel: +49 243 352 580 Fax: +49 24 33 52 58 10  
e-mail: infobox@dmicros.com

Joseph Chantraineplantsoen I, 3070 Kortenberg, Belgium Tel: +32 2751 3480, Fax: +32 2751 3481  
e-mail: dmbenelux@dmicros.com

Delavska cesta 26, 4208 Sencur-Slovenija Tel: +386 (4) 279 18 90, Fax: +386 (4) 279 18 91  
e-mail: dmslovenia@dmicros.com

9-13 rue du Moulinet, 75013 Paris, France Tel: +33 1 45 81 99 99, Fax: +33 1 45 81 99 89.  
e-mail: dmfrance@dmicros.com

16 New Industrial Road, #03-03 Hudson Techno Centre, Singapore 636204 Tel : +65 6285982 Fax : +65 62858646.

5/3 Packard Avenue, Castle Hill, NSW 2154, Australia Tel: +612 9634 4211 Fax: +612 9634 4811.

UB 2, San Gwann Ind. Est., San Gwann, Malta Tel: +356 21483 673 Fax: +356 21449 170.

Building 12, Suite 302, P.O.Box 500291, Dubai Internet City, Dubai, United Arab Emirates  
Tel: +971 (4) 390 1015, Fax: +971 (4) 390 8655.

The manufacturer reserves the right to change the specification without notice.

All trademarks are courtesy of registered owners.  
DM1 is a trademark of Dedicated Microcomputers Group Ltd.  
REF: DM101/05



[www.dedicatedmicros.com](http://www.dedicatedmicros.com)

Doc 74 0185